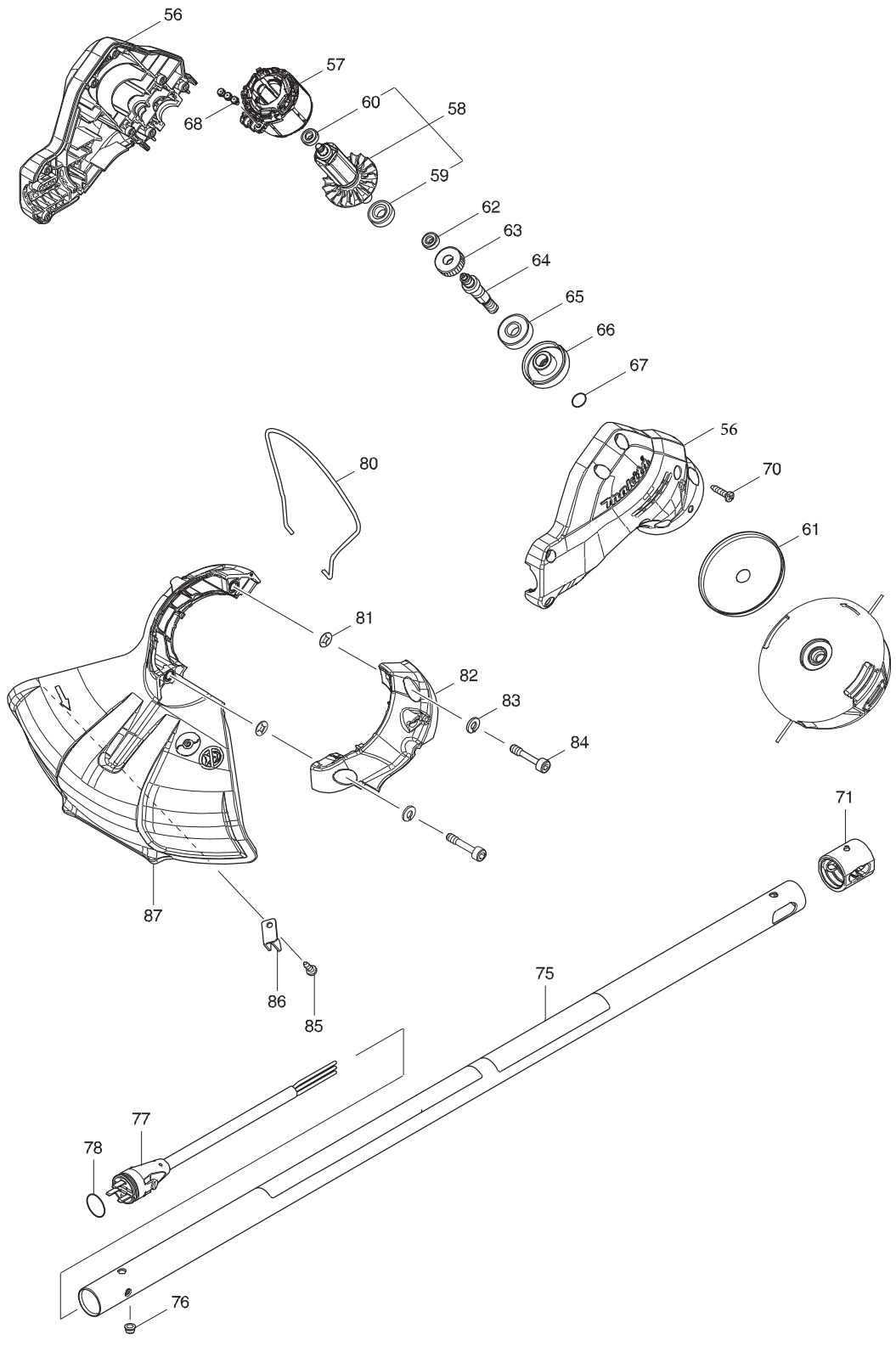


DUR188LZ



Item No.	Type	Sub	Part No.	Description	Qty	Unit
001			183A19-1	GRIP SET	1	SET
		INC.	931202-6	HEX. NUT M5	1	PC.
002			699085-7	POWER SUPPLY CORD UNIT	1	PC.
003			687260-7	STRAIN RELIEF	1	PC.
004			266326-2	TAPPING SCREW 4X18	1	PC.
005			455629-1	LOCK OFF LEVER	1	PC.
006			233621-5	TORSION SPRING 9	1	PC.
007			455625-9	SWITCH LEVER	1	PC.
008			632E26-0	SWITCH UNIT	1	PC.
009			144371-6	SUB CONTROLLER COMPLETE	1	PC.
010			233612-6	TORSION SPRING 10	1	PC.
011			922228-9	H.S.H.BOLT M5X18 WITH WR	1	PC.
013			266326-2	TAPPING SCREW 4X18	6	PC.
023			183F35-3	HOUSING SET	1	SET
		INC.	263005-3	RUBBER PIN 6	2	PC.
024			346248-3	CLAMP 24	1	PC.
025			266326-2	TAPPING SCREW 4X18	1	PC.
026			687260-7	STRAIN RELIEF	1	PC.
027			266326-2	TAPPING SCREW 4X18	1	PC.
028			620642-0	CONTROLLER	1	PC.
031			266326-2	TAPPING SCREW 4X18	6	PC.
032			852Y05-4	DUR188L NAME PLATE	1	PC.
033			644809-6	TERMINAL	1	PC.
034			451601-1	SPACER 24	1	PC.
035			347116-3	HANGER	1	PC.
037			326925-3	PIPE B	1	PC.
038			454304-6	JOINT COVER	1	PC.
039			454303-8	LOCK LEVER	1	PC.
040			233604-5	TORSION SPRING 3	1	PC.
041			233211-4	COMPRESSION SPRING 2	1	PC.
042			258010-3	SPRING PIN 2.5-25	2	PC.
044			265596-0	HEX.BOLT M6X40	1	PC.
045			253332-6	THIN WASHER 6	1	PC.
046			213105-9	O RING 11	1	PC.
047			252159-1	HEX. NUT M6	1	PC.
048			272268-0	LEVER 94	1	PC.
049			961014-3	STOP RING E-8	1	PC.
050			319531-1	JOINT 24 B	1	PC.
051			922311-2	HEX. SOCKET HEAD BOLT M6X12	1	PC.
052			922342-1	HEX. SOCKET HEAD BOLT M6X25	1	PC.
053			931302-2	HEX. NUT M6	1	PC.
054			213275-4	O RING 18	1	PC.
055			699087-3	POWER SUPPLY CORD UNIT	1	PC.
056			183F18-3	MOTOR HOUSING SET	1	SET
057			629248-1	STATOR	1	PC.
058			519429-4	ROTOR ASS'Y	1	PC.
		INC.		Item No. 59,60		
059			210049-4	BALL BEARING 609ZZ	1	PC.
060			211157-4	BALL BEARING 695ZZ	1	PC.
061			346857-8	GUARD	1	PC.
062			211157-4	BALL BEARING 695ZZ	1	PC.
063			221492-2	HELICAL GEAR 26	1	PC.
064			326924-5	CUTTER SHAFT	1	PC.
065			210059-1	BALL BEARING 6000DDW	1	PC.
066			144512-4	RECEIVE WASHER COMPLETE	1	PC.
		INC.		Item No. 67		
067			213055-8	O RING 10	1	PC.
068			652069-6	FLAT HEAD SCREW M3X6	3	PC.
070			266326-2	TAPPING SCREW 4X18	8	PC.
071			424567-8	RUBBER SLEEVE 24	1	PC.
075			144413-6	PIPE COMPLETE B	1	PC.
		INC.	819312-8	MAKITA LOGO LABEL	1	PC.

Item No.	Type	Sub	Part No.	Description	Qty	Unit
		INC.	812D08-4	CAUTION LABEL	1	
076			326880-9	STOPPER PIN B	1	PC.
077			699088-1	POWER SUPPLY CORD UNIT	1	PC.
078			213275-4	O RING 18	1	PC.
080			326348-5	WIRE GUARD	1	PC.
081			413143-3	WASHER	2	PC.
082			454641-8	PROTECTOR HOLDER	1	PC.
083	2		253428-3	SPRING WASHER 6	2	PC.
084			266579-3	HEX SOCKET HEAD BOLT M6X30	2	PC.
085			266427-6	TAPPING SCREW 4X12	2	PC.
086			347274-5	CUTTER	1	PC.
087			457324-9	PROTECTIVE GUARD	1	PC.
088			457937-6	LOOP HANDLE 24	1	PC.
089			922212-4	HEX. SOCKET HEAD BOLT M5X12	1	PC.
090			263005-3	RUBBER PIN 6	1	PC.
091			347011-7	PIPE CLAMP 29	1	PC.
092			922212-4	HEX. SOCKET HEAD BOLT M5X12	1	PC.
100			424596-1	CAP 24 F/ Item No. 71	1	PC.
<u>ACCESSORIES</u>				- Visit www.makita.ca for more accessories information -		
A01			198385-7	BUMP&FEED 95-M8L TRIMMER HEAD ASSY M8X1.25LH	1	PC.
A02			125516-5	BAND ASSEMBLY (SHOULDER HARNESS)	1	PC.
A03			783202-0	HEX. WRENCH 4	1	PC.
A04			783217-7	HEX. WRENCH 5	1	PC.
A05			831304-7	ACCESSORY BAG	1	PC.
A06			B-02945	ULTRA AUTO 4Y TRIMMER HEAD ASSY M8-10X1.25LH	1	PC.
A07			197472-9	NYLON CORD SPIRAL 2.0-15M	1	PC.
A08			-----	18V LI-ION BATTERY		
A09			-----	BATTERY CHARGER		
A10			-----	LI-ION BATTERY ACCESSORIES		